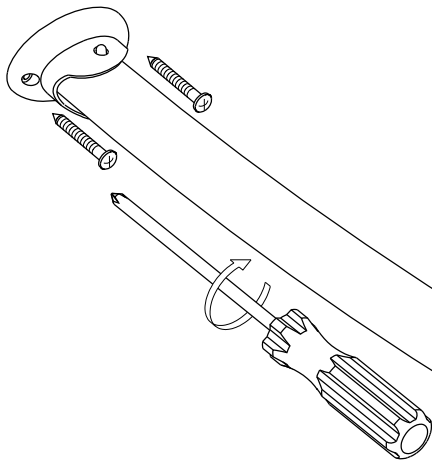
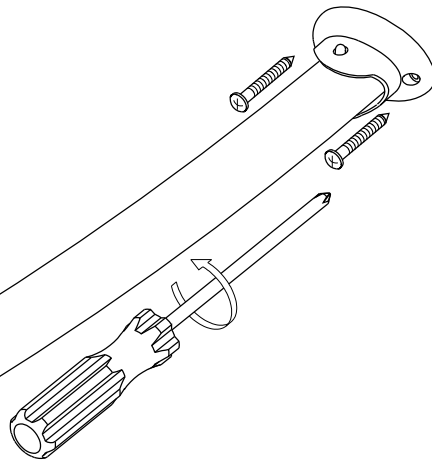


4



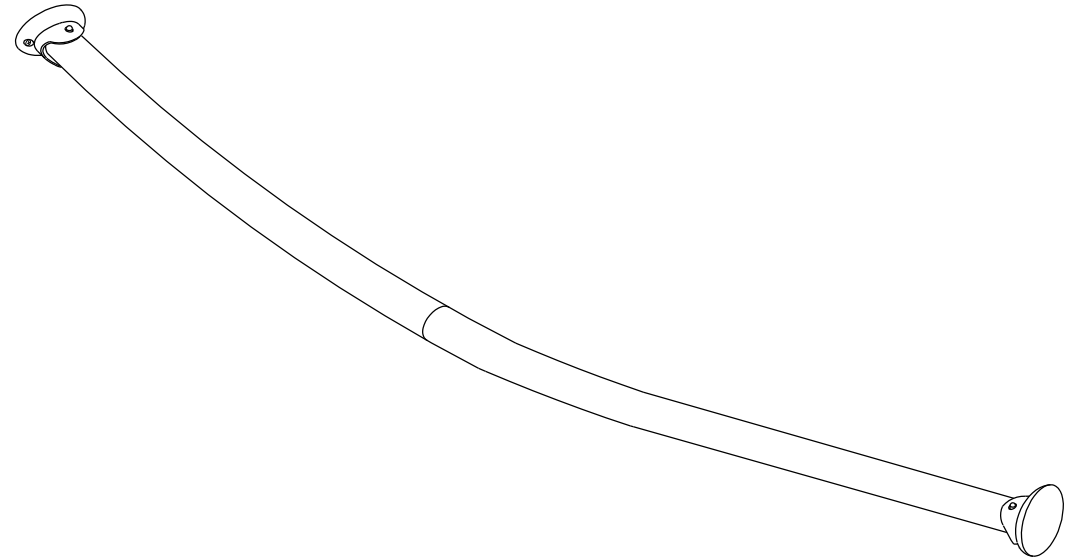
4. Place the shower rod on the mounting location and insert screws through first mounting post into anchors. Tighten screws with Phillips screwdriver.

5



5. Expand the shower rod and install on opposite end.

KINGSTON BRASS
THE TRADITION OF FINE BRASS



www.kingstonbrass.com

TOLL-FREE CUSTOMER SERVICE: 877-2-KBRASS

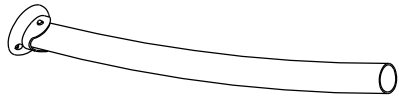
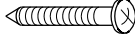
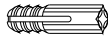
TECHNICAL SUPPORT E-mail: service@kingstonbrass.com

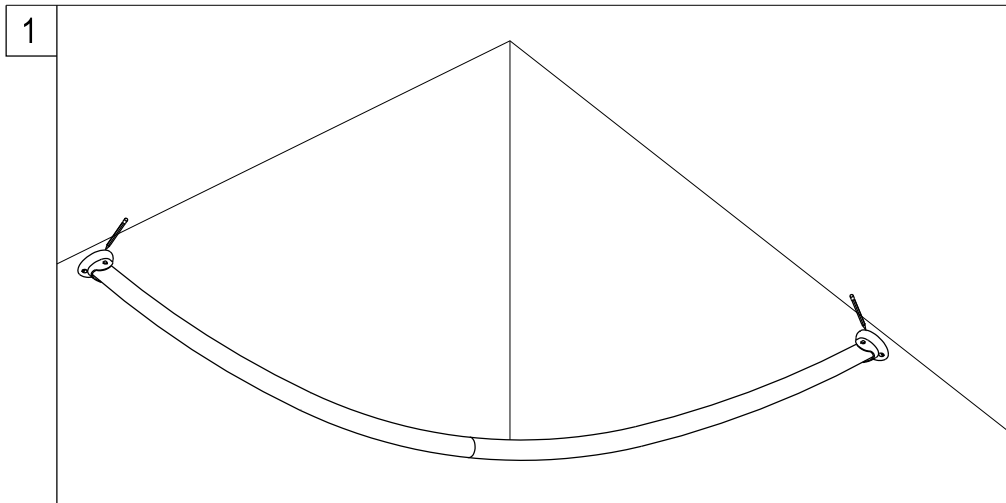
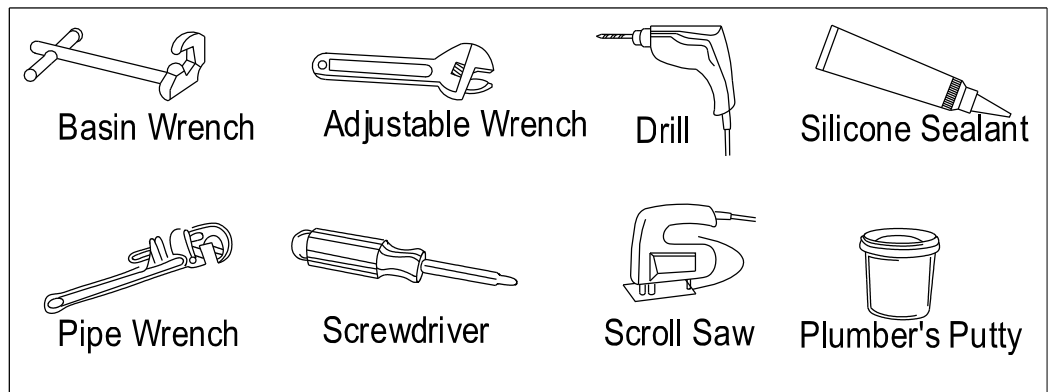
6240 Prescott Court, Chino, CA91710

INSTALLATION INSTRUCTIONS

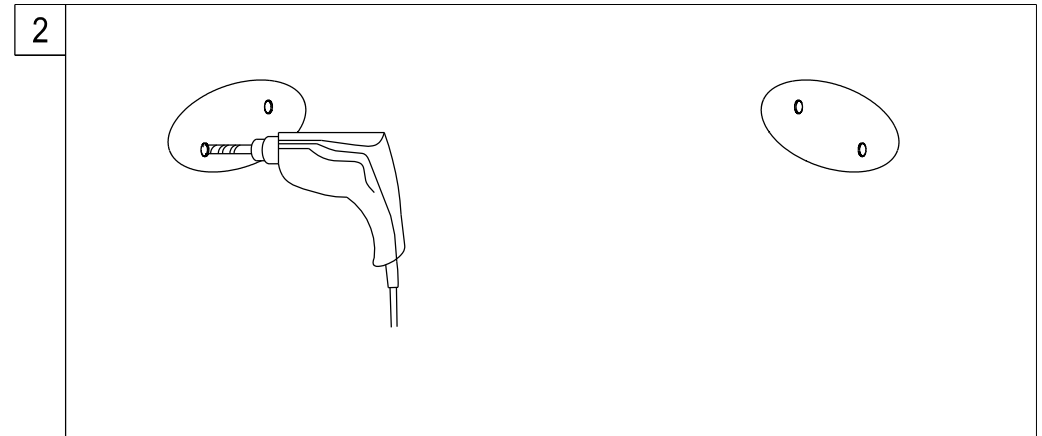
For Use With KB's Adjustable Hotel Curved Shower Rod

Parts:

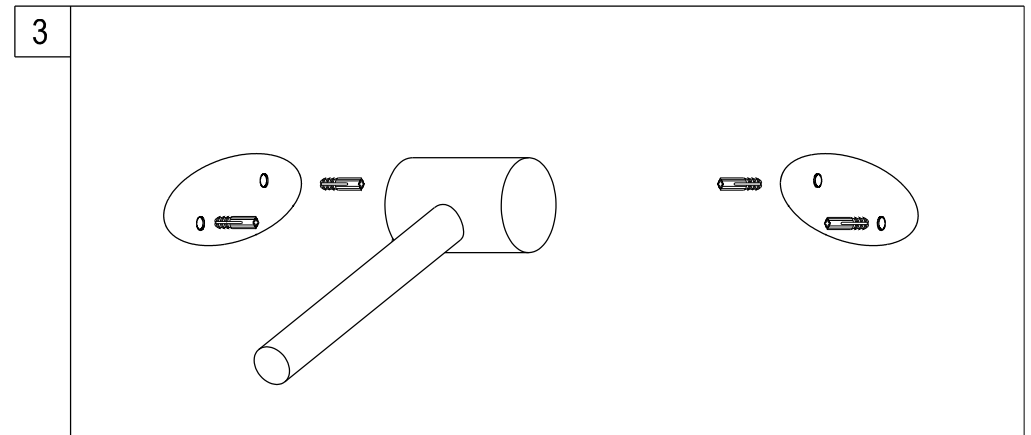
Fixed Bracket		X2
Screw		X4
Anchors		X4



1. Mark the installation location on both walls of shower opening with pencil.



2. Drill holes as marked on wall.



3. Gently insert anchors into holes until they flush with the wall.